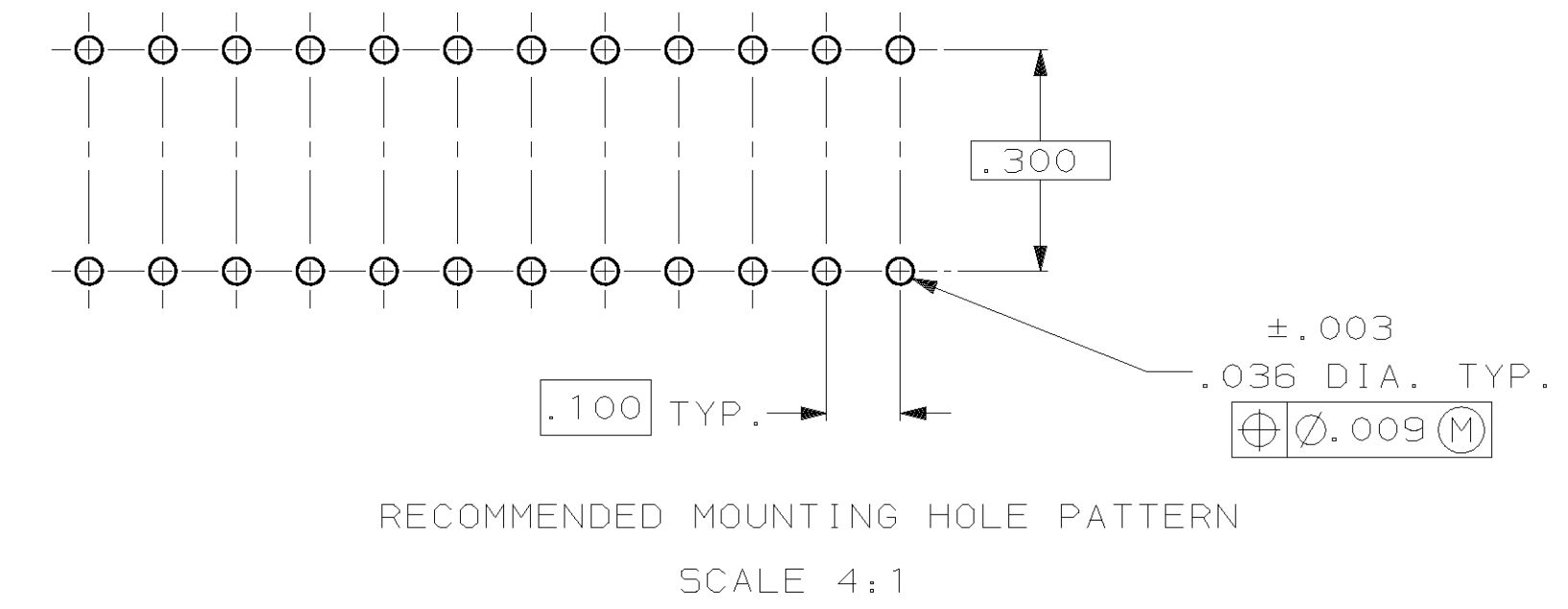
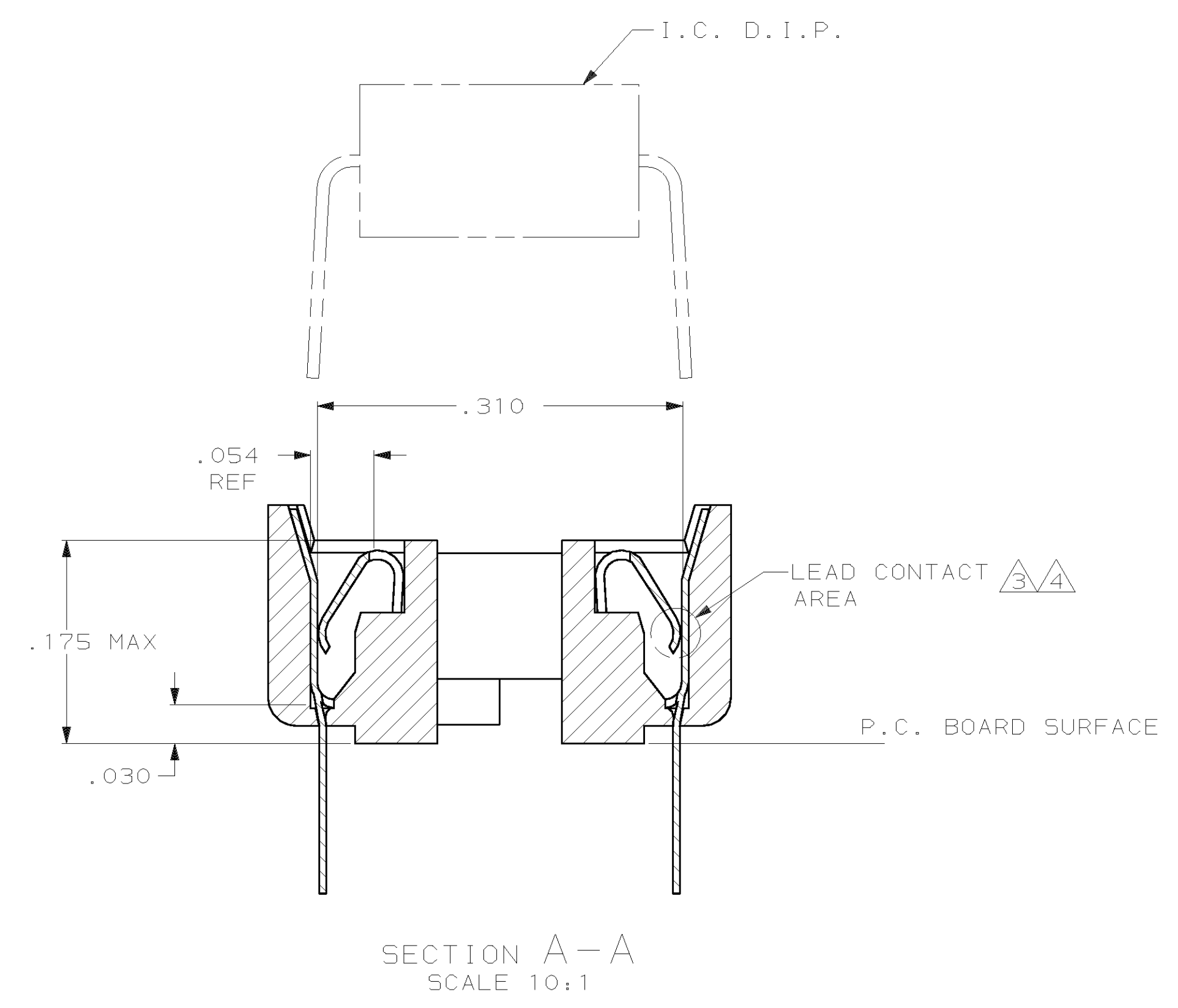
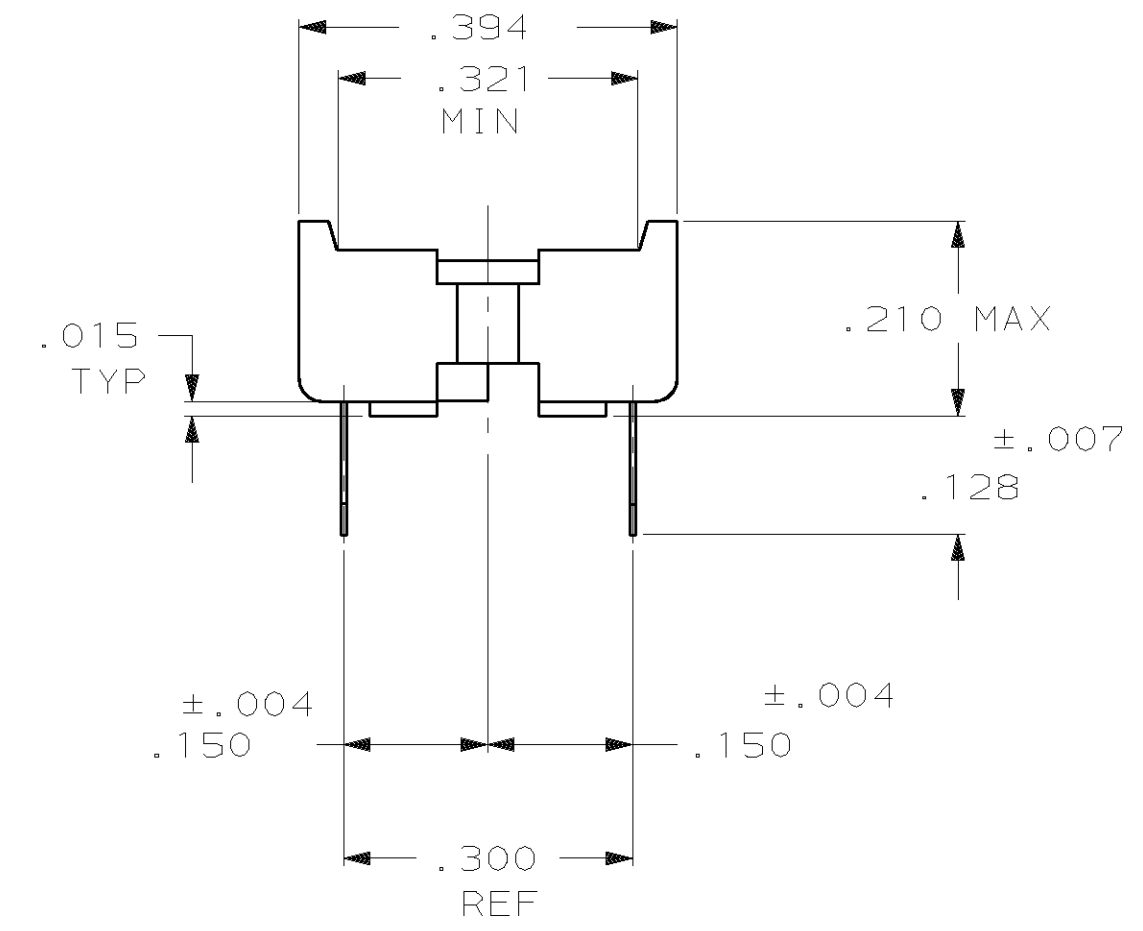
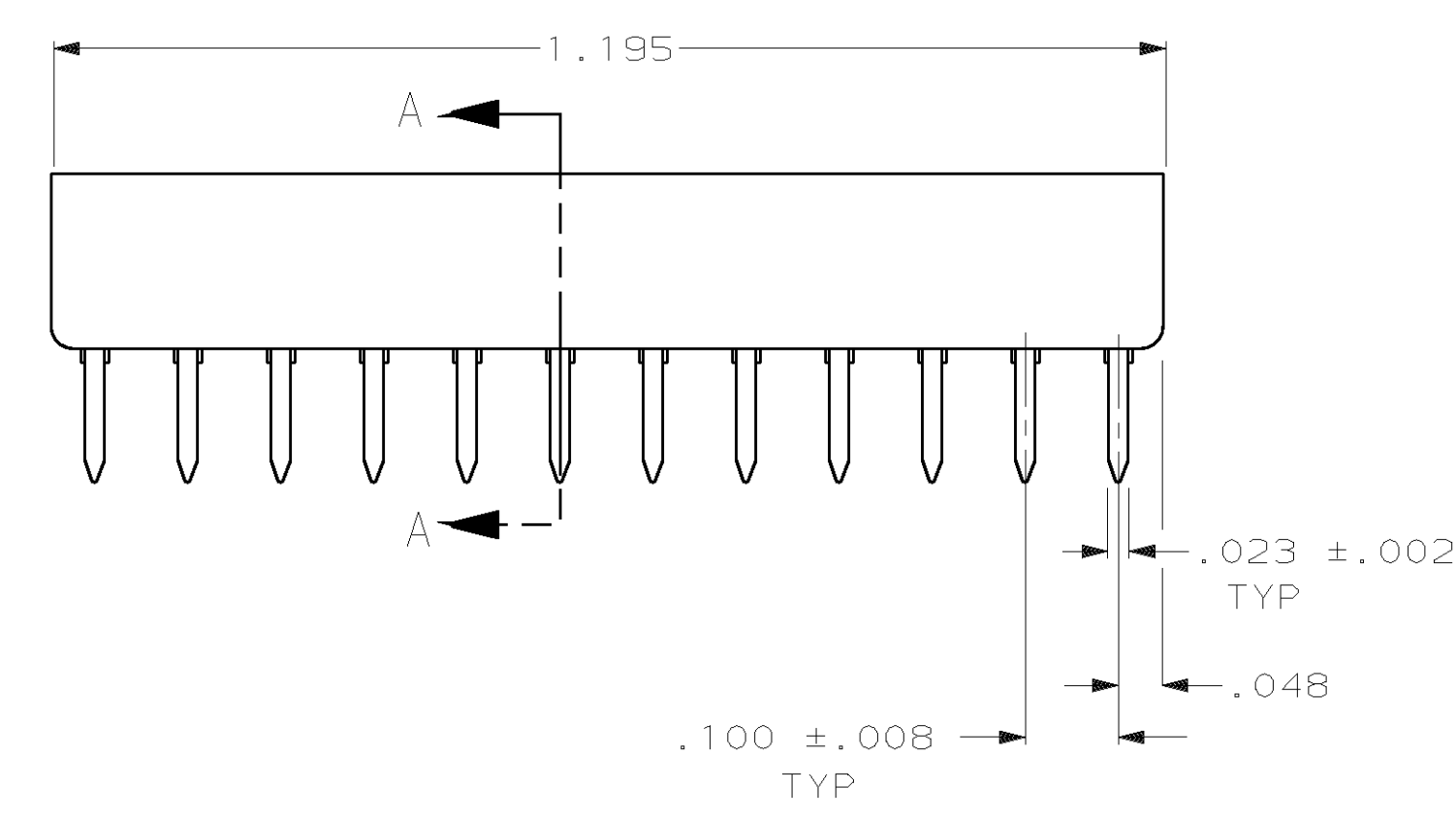
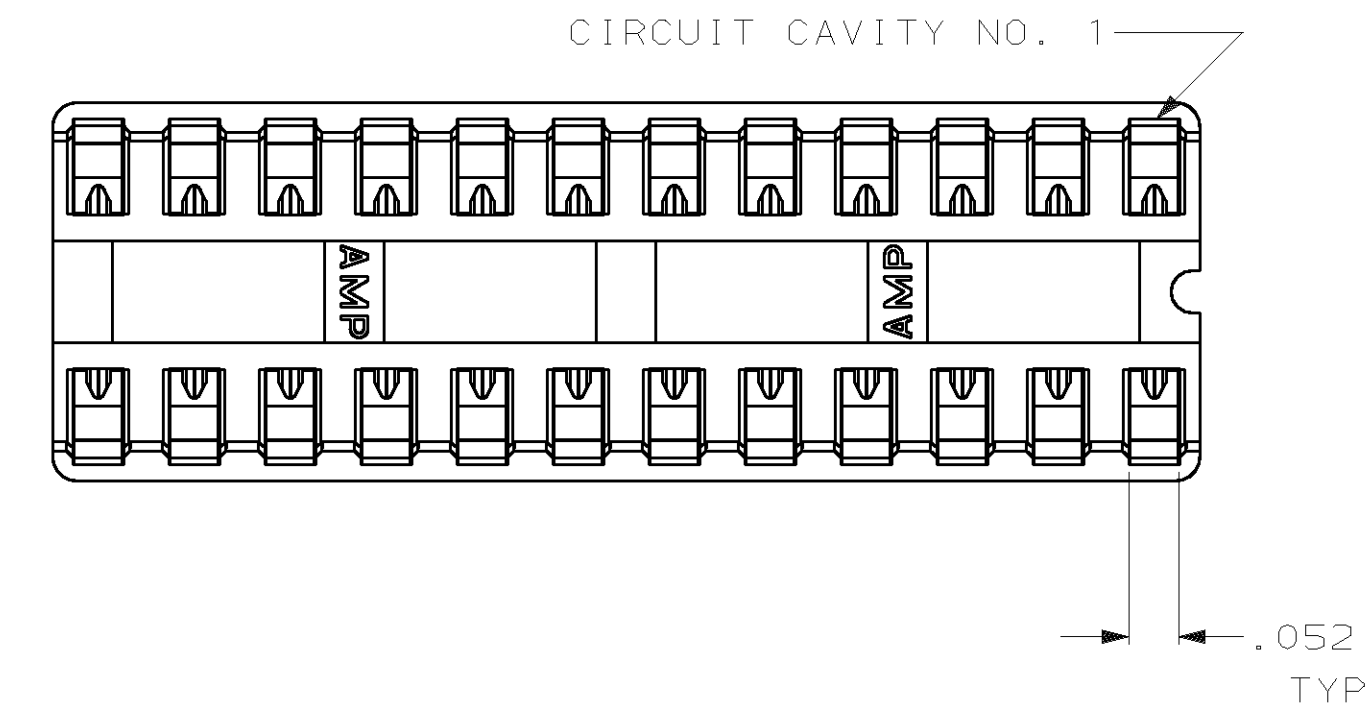


LOC		DIST		P		F		ZONE		LTR		REVISIONS		DATE	APPD
AD	0												DESCRIPTION	25SEP01	JO
													REV PER	OG3C-0104-01	

- RECEPTACLE ACCEPTS A .008-.014 THICK I.C. LEAD.
- TUBE LOADED FOR AUTOMATIC INSERTION.
- TWO .000030 MIN THK. GOLD STRIPES IN CONTACT AREA WITH TIN-LEAD (93/7) ON CONTACT LEGS, BALANCE OF CONTACT NICKEL PLATED.
- TWO .000015 MIN THK. GOLD STRIPES IN CONTACT AREA WITH TIN-LEAD (93/7) ON CONTACT LEGS, BALANCE OF CONTACT NICKEL PLATED.
- SPECIAL PACKAGING.



SUPSD BY 390261-8	TINNED	BE.CU. .006 THK	GLASS-FILLED THERMOPLASTIC, 94V-0, BLACK	5-641932-1
OBSOLETE	TINNED	PHOS.BRZ. .006 THK	GLASS-FILLED THERMOPLASTIC, 94V-0, BLACK	2-641932-5
		PHOS.BRZ. .006 THK	GLASS-FILLED THERMOPLASTIC, 94V-0, BLACK	2-641932-4
SUPSD BY 390261-8	TINNED	PHOS.BRZ. .006 THK	GLASS-FILLED THERMOPLASTIC, 94V-0, BLACK	2-641932-3
		BE.CU. .006 THK	GLASS-FILLED THERMOPLASTIC, 94V-0, BLACK	2-641932-2
SUPSD BY 390261-8	TINNED	BE.CU. .006 THK	GLASS-FILLED THERMOPLASTIC, 94V-0, BLACK	2-641932-1
	CONTACT FINISH	CONTACT MAT'L	HOUSING MATERIAL	PART NO.

UNLESS OTHERWISE SPECIFIED DIMENSIONS ARE IN INCHES TOLERANCES ON :		DR		AMP INCORPORATED Harrisburg, Pa. 17105																			
2 PL DEC ±.005	8-17-87	<table border="1"> <tr> <td>NAME</td> <td colspan="5">SOCKET ASSY, DIP, LADDER, 24 POS, DIPLOMATE DL</td> </tr> <tr> <td>SIZE</td> <td>FSCM NO</td> <td colspan="2">DRAWING NO</td> <td colspan="2">PART NO</td> </tr> <tr> <td>D</td> <td>00779</td> <td colspan="2">641932</td> <td colspan="2">SHEET 1 OF 1</td> </tr> </table>				NAME	SOCKET ASSY, DIP, LADDER, 24 POS, DIPLOMATE DL					SIZE	FSCM NO	DRAWING NO		PART NO		D	00779	641932		SHEET 1 OF 1	
NAME	SOCKET ASSY, DIP, LADDER, 24 POS, DIPLOMATE DL																						
SIZE	FSCM NO	DRAWING NO		PART NO																			
D	00779	641932		SHEET 1 OF 1																			
3 PL DEC ±.005	8-31-87	CHK	R.MILLER	SCALE	5:1																		
ANGLES ±0°30'	9-4-87	APPD	J.LAMBERT																				
	9-4-87	APPD	J.GRAY																				
MATERIAL	SEE TABLE	PRODUCT SPEC	108-1066																				
FINISH	SEE TABLE	APPLICATION SPEC	114-1049																				
		WEIGHT	-																				